

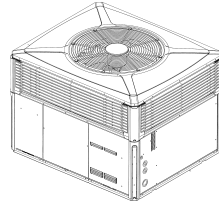
Locating The Serial Numbers On Your New Products

Contact your installing dealer or print
this document for help.

If at any time you feel you need additional help to successfully register your products, please contact our Warranty Registration Center at 800 554 8005. They will be happy to help you quickly complete your registration.

Which New Products Do You Have?

- Packaged Unit (All in One)



- Thermostat



- Air Conditioner or Heat Pump



- Air Cleaner



- Furnace



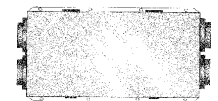
- Humidifier



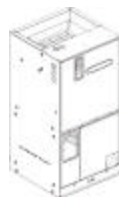
- Indoor Coil



- Energy Recovery Ventilator

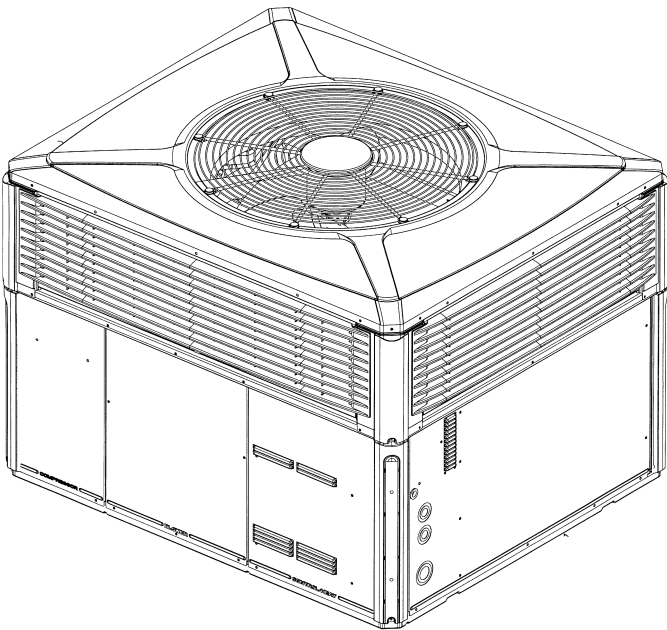


- Air Handler



Packaged Unit

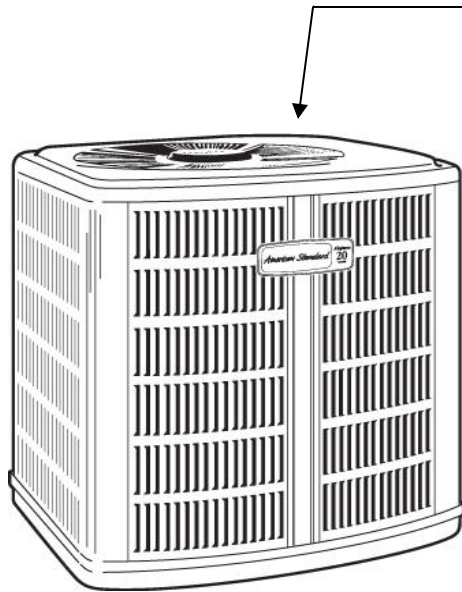
- The serial number label is located on the rear panel of the outdoor unit.





| | |
|---|--------------------------------|
| TRANE | |
| Fort Smith, AR. 72903 | |
| MODEL NO. | FORCED AIR FURNACE WITH |
| Serial No. | COOLING UNIT, FOR OUTDOOR |
| DATE OF MFG. | INSTALLATION ONLY. |
| ELECTRICAL RATING | |
| MIN/MAX OPER. VOLT / | |
| MAX HACR CKT BRK | INSTALL AND MAINTAIN THIS UNIT |
| MAX CKT BRK(CANADIAN INST) | AS DESCRIBED IN THE MANUALS |
| CONTROL CKT VOLT | PROVIDED. |
| MIN CKT AMP | |
| MAX FUSE SIZE | |
| MIN TEST PRESSURE: HIGH LOW PSIG | |
| BR. CKT. SEL. CUR. | |
| COMPR QTY PH HZ RLA LRA | ANSI Z21.47b-USA 2.3b-2008 |
| A | CENTRAL FURNACE |
| B | |
| INTERNALLY PROTECTED COMPRESSOR | |
| FAN QTY PH HZ FLA HP | QTY REFRIG CKTS |
| COND | FACTORY CHARGED: |
| EVAP | LBS - OZ |
| EXHAUST | CPR "A" R22 |
| | CPR "B" R22 |
| HEATING INPUT BTUH | |
| HEATING OUTPUT BTUH | |
| MIN. INPUT BTUH | |
| ORIFICE DRILL SIZE | |
| ALTITUDE SPECIFICATIONS 0-2000 FT | |
| MAX EXT S.P. INCHES W.C. | |
| TEMP RISE DEG F | |
| DESIGNED MAX OUTLET AIR TEMP. DEG F | FOR GAS |
| MAX GAS SUPPLY PRESS IN. W.C. | MIN AMBIENT TEMP |
| MIN GAS SUPPLY PRESS IN. W.C. | |
| MANIFOLD PRESS INCHES W.C. | |
| WHEN UNIT IS CONVERTED TO DOWNFLOW, METAL OR | |
| CLASS I PLENUM AND AIR OUTLET DUCT MUST BE USED | |
| CLEARANCES TO COMBUSTIBLE MATERIAL (INCHES): TOP | |
| L. SIDE R. SIDE FRONT BACK | FOR INSTALLATION ON |
| COMBUSTIBLE FLOORING OR CLASS A, B, C ROOF COVERING MATERIAL. | |
| Manufactured under one or more of the following U.S. Patents | |
|  | ASSEMBLED IN USA D932287P01 |
|  | UL US LISTED |
| D672473P02 | LISTED MODELS |

Air Conditioner or Heat Pump

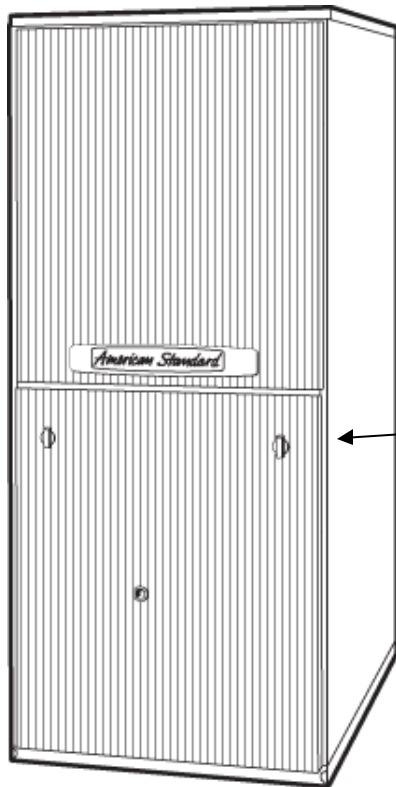
- The serial number label is located on the top, right-rear of the outdoor unit.



| | | | |
|--|--|---|--------------------------|
| MOD. NO. | | MFR DATE | |
| SERIAL NO. | | VOLTS | |
| MINIMUM CIRCUIT CAPACITY | | PH | <input type="checkbox"/> |
| OVERCURRENT PROTECTIVE DEVICE | | HZ | |
| MIN FUSE / BREAKER (HACR) | | AMPS | |
| MAX FUSE / BREAKER (HACR) | | USA | CANADA |
| | | | |
| | | LBS. | OR |
| | | OZ. | kg(SI) |
| AMERICAN STANDARD INC. MANUFACTURER OF TRANE AND AMERICAN STANDARD TYLER, TX 75707 | | 3059934 | OUTDOOR USE |
| COMPR. MOT. | | RLA | |
| O.D. MOT. | | FLA | |
| M.E.A. NO. | | F. ID. | |
|  | |  | |
| | | ARI Standard 210/240 U CERTIFICATION APPLIES ONLY WHEN THE COMPLETE SYSTEM IS LISTED WITH ARI | |

Furnace

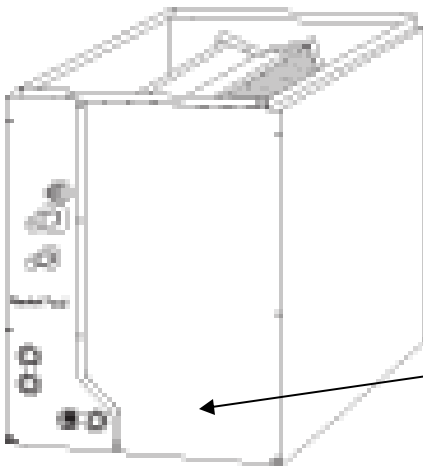
- The serial number label is located on the right or left side of the indoor unit. (closet, attic, basement, garage)




| | |
|----------------------|-------------------|
| MODEL NUMBER: | NUMERO DE MODELE: |
| SERIAL NUMBER: | NUMERO DE SERIE: |
| DATE OF MANUFACTURE: | MM/YY |

Indoor Coil

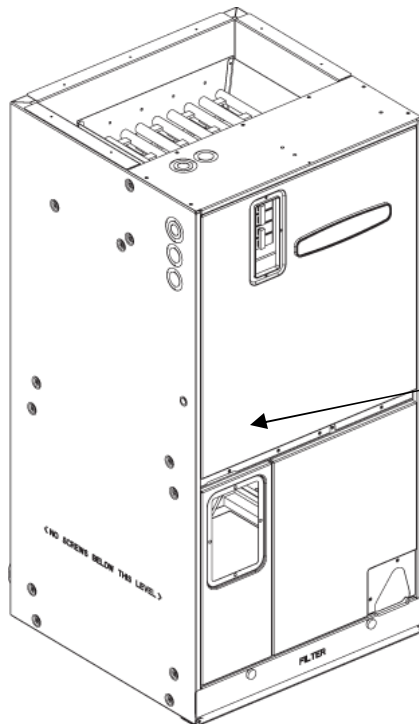
- The serial number label is located on the front panel of the indoor coil unit. (with the furnace)



| | | | |
|------------------------------|------------|------------|---|
| (A) | | |  |
| | | | Assembled in USA |
| MODEL NO. | SERIAL NO. | | |
| SUITABLE FOR MOBILE HOME USE | | | |
| REFRIGERANT | MFG DATE | DESIGN PSI | |
| | | | B340527P01 |

Air Handler

- The serial number label is located on the front panel of the indoor unit. (closet, attic, basement, garage)



Trane U.S. Inc.
 Manufacturer of Trane & American Standard HVAC
 Tyler, TX 75707

Assembled in USA

MODEL NO. SERIAL NO. MOTOR H.P. F.L. AMPS VOLTS PHASE

FIELD VALUE - REFRIGERANT

ELECTRIC HEATER - 208 OR 240V, 60Hz, 1PH OR 3 PH: FACTORY INSTALLED MAY BE FIELD INSTALLED

ALTERNATIVE TXV KIT INSTALLED: R22 R410A MFR. DATE: XXXX

REFRIGERANT 22 OR 410A ONLY. DESIGN PRESSURE 480 PSI; UNLESS INDICATED "N" ANY ONE OF THE FOLLOWING HEATERS MAY BE INSTALLED IN THIS UNIT; INSTALLER MUST MARK ONE APPROPRIATE BLOCK IN COLUMN A.

FLUIDE FRIGORIGENE 22 OU 410A UNIQUEMENT. PRESSION NOMINALE DE 480 LB/PD2. A MOINS D'INDICATION <N> L'UN DES GENERATEURS DE CHALEUR SUIVANTS PEUVENT ETRE INSTALLES DANS CET APPAREIL. L'INSTALLATEUR EST TENU DE MARQUER UN BLOC APPROPRIE DANS LA COLONNE A.

| A | TRANE HEATER MODEL | SUPPLY VOLTS | PHASE | KW | HEATER CIRCUIT AMPS | MIN BRANCH CAPACITY | MAXIMUM OVERCURRENT DEVICE | MINIMUM HEATING BLOWER SPEED | |
|---|--------------------|--------------|-------|----|---------------------|---------------------|----------------------------|------------------------------|----------------|
| | | | | | | | | WITHOUT HEAT PUMP | WITH HEAT PUMP |
| | | | | | | | | | |
| | | | | | | | | | |
| | | | | | | | | | |
| | | | | | | | | | |
| | | | | | | | | | |
| | | | | | | | | | |
| | | | | | | | | | |
| | | | | | | | | | |
| | | | | | | | | | |
| | | | | | | | | | |

Note: Heater model number may have additional suffix digits "HH" = 000, BRK, PDC

MINIMUM INSTALLATION CLEARANCE TO COMBUSTIBLE MATERIALS WHEN ELECTRIC HEATERS ARE INSTALLED: UNIT CABINET-0", PLENUM-1", AND FIRST 3' OF OUTLET DUCT-1".

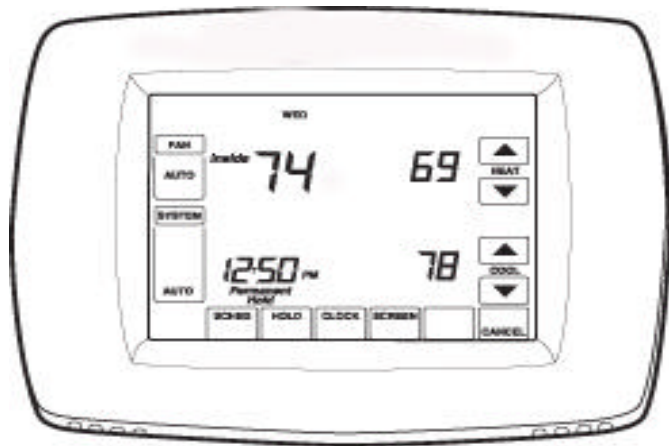
MAXIMUM OUTLET AIR TEMPERATURE WITH ELECTRIC HEATERS 200 DEGREES F. SUITABLE FOR MOBILE HOME USE, MOTOR INTERNALLY PROTECTED. UNIT TESTED AT 0.3 IN. W.C. EXTERNAL STATIC PRESSURE.

May be manufactured under one or more of the following U.S. patents: 5,743,100; 6,282,910; 6,647,203; 7,014,422; 7,024,283; 7,100,478; 7,144,219; 7,381,028
 Patented to Florida Building Code 13 - 610.2.A.2.1, this unit meets the criteria for a factory sealed air handler.

COMFORT - R TM enhanced airflow comfort setting.
 VORTICA TM airflow system, AIR-TITE cabinet construction.

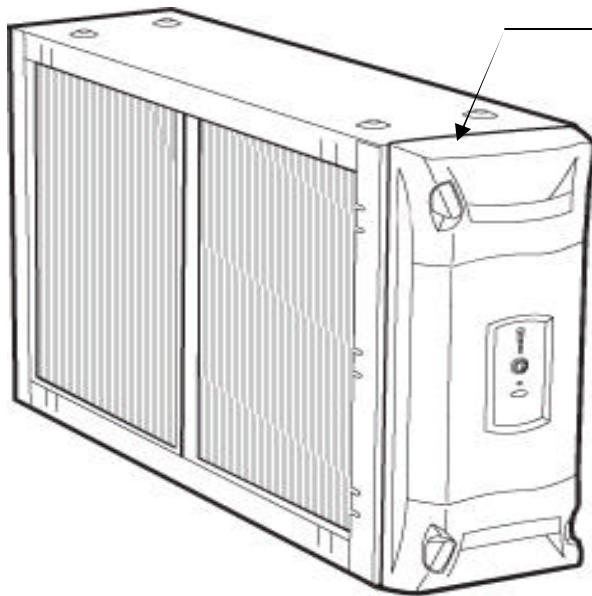
Thermostat

- The model number label is located behind the front cover. (Remove from wall plate)



Air Cleaner

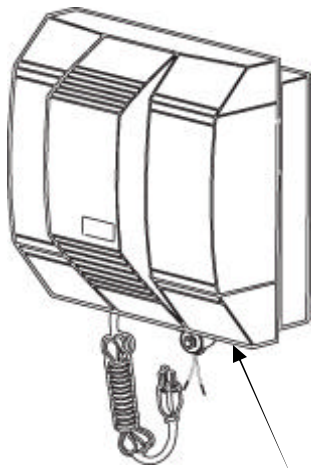
- The serial number label is located on the back of the door. (Next to furnace or air handler)



| | |
|--|---|
| Trane U.S. Inc. Manufacturer of Trane & American Standard HVAC Tyler, TX 75707 | ELECTROSTATIC AIR CLEANER |
| MODEL NO. | c UL us LISTED |
| SERIAL NO. | |
| MFG. DATE | ELECTROSTATIC AIR CLEANER 29VD |
| 24 VAC 0.8 AMPS | |
| D802464 | MANUFACTURED UNDER ONE OR MORE OF THE FOLLOWING U.S. PATENTS: 6,749,669, 7,332,019, 7,351,274 AND D540,930 EPA Est.No.084781-GA-001 |

Humidifier

- The serial number label is located on the bottom of the unit. (near furnace or air handler)

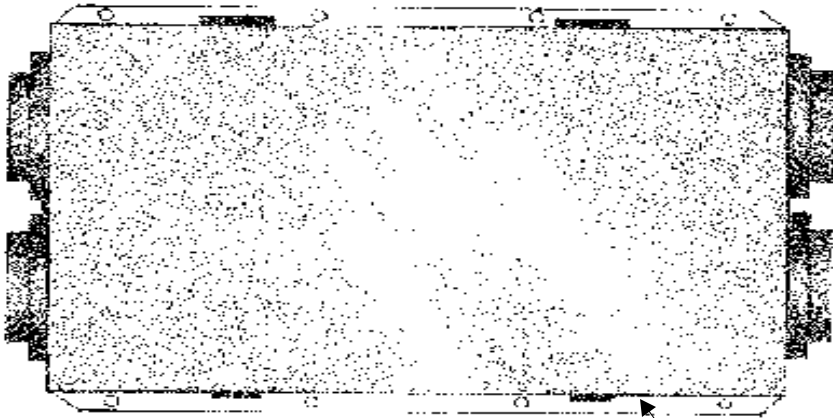




Model Number
AHUMD500APA00BA

Serial Number

Energy Recovery Ventilator

- The serial number label is located on the bottom of the unit. (near external wall in attic, basement, garage)



| | | |
|--|--|---|
|  LISTED 898S | Energy Recovery Ventilator MODEL AERV100A9P00AA MODELE DUCTED HEAT RECOVERY VENTILATOR |  |
| For residential use only. Not for use in cooking area. WARNING: Danger of electrical shock. Always disconnect from power source before servicing. | Pour residence seulement. Ne pas utiliser dans les aires de emission. AVERTISSEMENT: Danger de choc électrique. Toujours deconnecter la source d'alimentation avant les reparations. | |
| 120V, 50HZ, 1 Phase Qty 1: .09 HP & 1.2 F.L.A. Motors Thermally Protected | 120V, 50HZ, 1 Phasee Qte 1: de chaque .09 CV & 1.2 A.P.C. Moteurs proteges thermiquement | |
| SERIAL NUMBER: <div style="border: 2px solid red; height: 40px; width: 100%;"></div> | American Standard, Inc. 6200 Troup Highway Tyler, TX 75707 | |